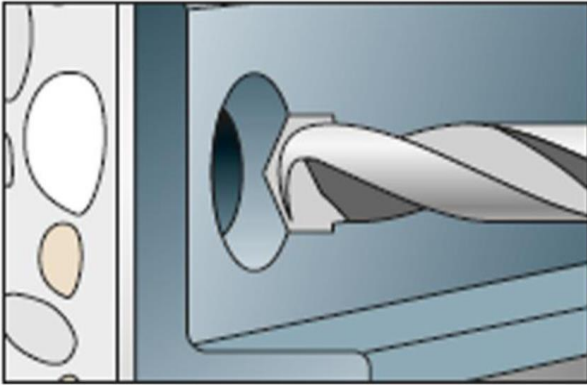
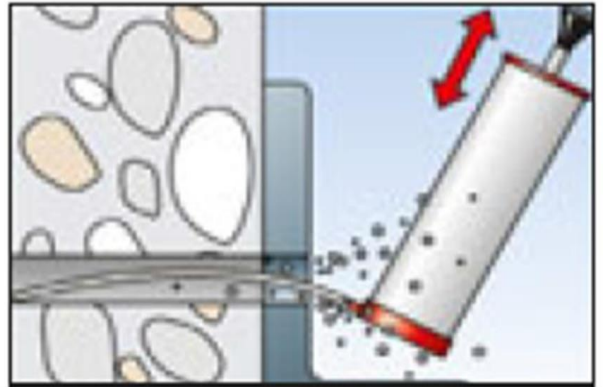


FISCHER FAZ II A4 Threaded Expansion Anchor Bolt

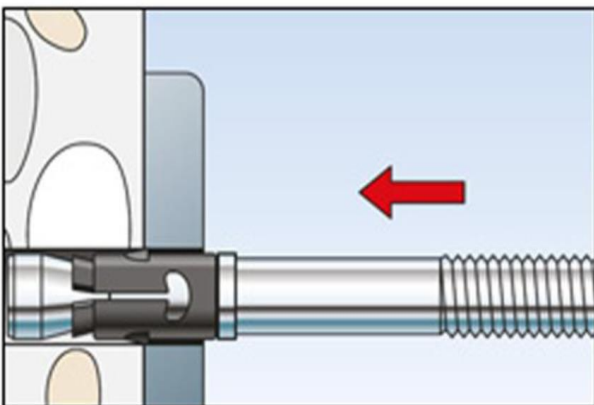
Installation Advice:



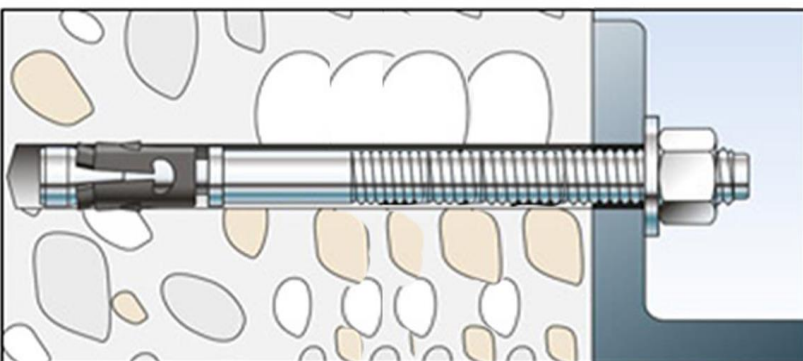
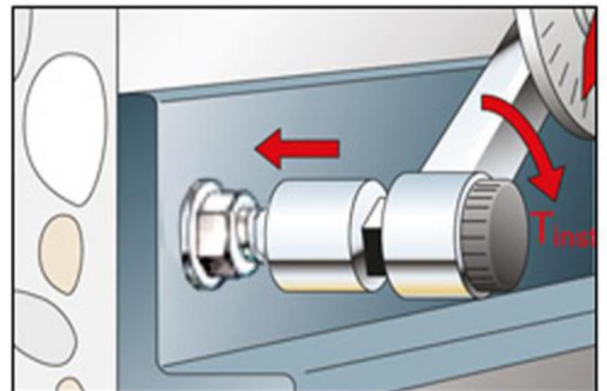
1. Drill 12mm diameter fixing hole.



4. Use hex head key to tension anchor bolt.



3. Insert anchor bolt.



5. Check fixing is secure.

